

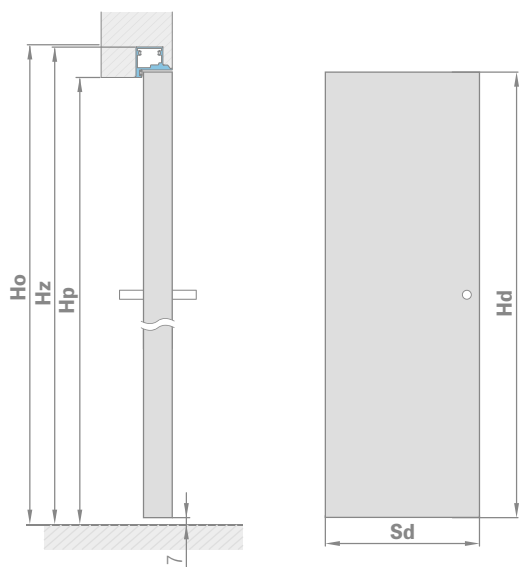


COVERT CONCEALED DOOR SYSTEM

NON-REBATED DOOR LEAF

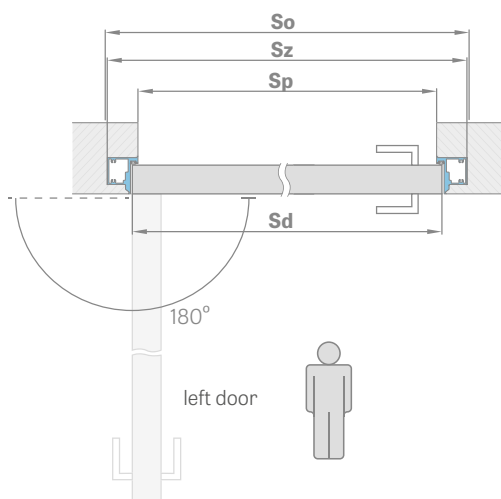
ALUMINIUM CONCEALED DOOR FRAME

STANDARD DIMENSIONS

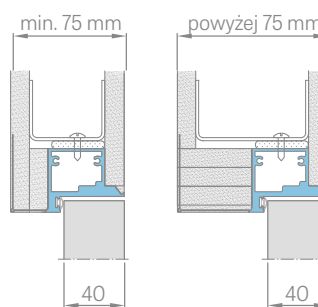


Door leaf width	Construction opening width	Frame outer width	Clear opening width
Sd [mm]	So [mm]	Sz [mm]	Sp [mm]
620	700	690	605
720	800	790	705
820	900	890	805
920	1000	990	905
1020	1100	1090	1005

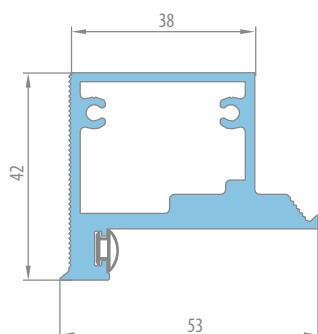
Door leaf height	Construction opening height	Frame outer height	Clear opening height
Hd [mm]	Ho [mm]	Hz [mm]	Hp [mm]
2020	2069	2062	2020



Gypsum board installation



ALUMINIUM DOOR FRAME CROSS-SECTION



ENCLOSED IN WALL

